

Griffserie GM

Gebogene Maschinengriffe in modernem Industriedesign.

Werkstoff und Oberfläche:

Rohr $\varnothing 30 \times 1,5$ mm aus Edelstahl, feingeschliffen, Werkstoff-Nr. 1.4301.

Rohrhalter aus Aluminium AlMgSi 0,5; mattglänzend, schwarz eloxiert, Endkappen aus Polyamid PA 6, schwarz mit Feinstruktur.

Tragkraft:

min. 1.000 N.

Handle Series GM

Bent tube machine handles in modern design.

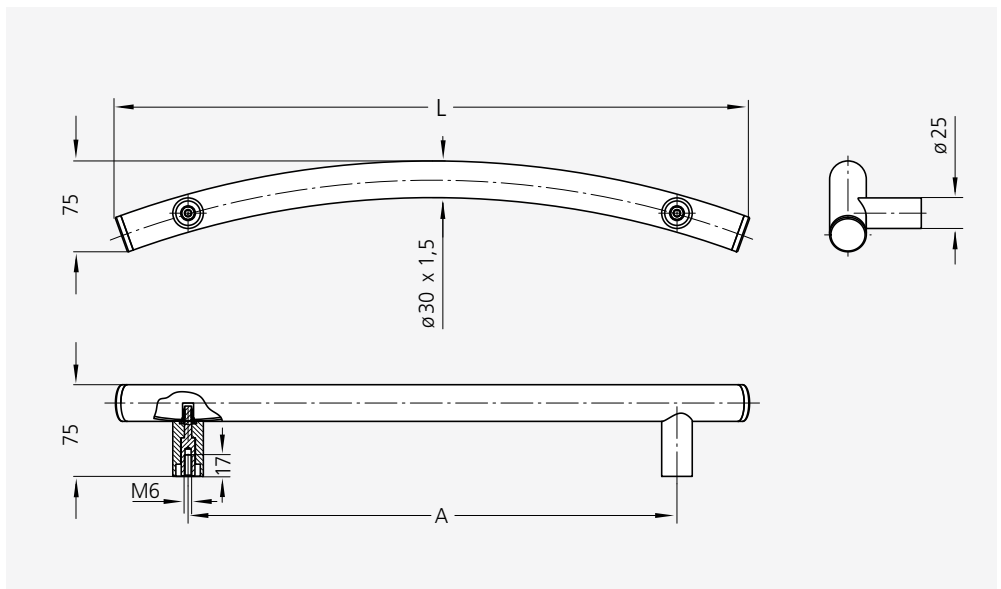
Material and surface:

Tube $\varnothing 30 \times 1.5$ mm made of stainless steel, fine ground, material no. 1.4301.

Tube holder made of aluminium AlMgSi 0.5; black anodized with matt gloss finish, end caps of polyamide PA 6, black with fine structure.

Stress resistance:

min. 1.000 N.



A	L	Bestell-Nr. Order no.
400	520	GM-30.C400.33
500	620	GM-30.C500.33
600	720	GM-30.C600.33